

| PARTS LIST | | HI-VOLUME DEWATERING PUMP | | | 11/8/2019 | |
|------------|------------|--|-----|---------------------|-----------|----------------------------------|
| ITEM | PART No. | DESCRIPTION | QTY | SIZE | MATERIAL | NOTES |
| 1 | 001-517-37 | Cabtyre Cable Set (50') | | 2PNCTF4Cx8mm2 | KR-3 | interchangable w/OLD# 001-314-32 |
| 2 | 006-127-15 | Stuffing Box | 1 | No.3 | FC | included with ITEM#1 Cable Ass'y |
| 3 | 140-055-10 | Hex.Bolt | 4 | M8x25 | SUS304 | |
| 4 | 070-107-18 | Cable Clamp | 1 | | FC | included with ITEM#1 Cable Ass'y |
| 5 | 140-035-14 | Hex.Bolt | 2 | M6x20 | SUS304 | included with ITEM#1 Cable Ass'y |
| 6 | 008-147-17 | Mould Cover | 1 | KR3-9 | CR | included with ITEM#1 Cable Ass'y |
| 7 | 010-120-18 | Cable Clip | 1 | No.2-1 | SPC | |
| 8 | 010-122-10 | Cable Clip Rubber | 1 | No.2 | NBR | |
| 9 | 141-004-17 | Hex.Nut | 1 | M6 | SUS304 | |
| 10 | 140-033-12 | Hex.Bolt | 1 | M6x16 | SUS304 | |
| 11 | 095-000-95 | Chain | 1 | 4mm(4L) | SS | replaces OLD# 095-131-18 (3L) |
| 12 | 011-110-11 | Shackle | 1 | 6mm(M8,SC) | SS | |
| 13 | 140-101-12 | Hex.Bolt | 4 | M12x50 | SUS304 | |
| 14 | 142-165-10 | Spring Washer | 4 | M12 | SUS304 | |
| 15 | 070-103-10 | L-Shape Fitting | 1 | KT-55 | SPC | |
| 16 | 009-129-16 | Terminal | 6 | E (Small) | CU | included with ITEM#1 Cable Ass'y |
| 17 | 009-101-12 | Terminal(C/W Screw) | 3 | d12x(d6.6xd6.6)x25l | C3604 | |
| 19 | 002-129-15 | Heat Shrink Tube (Sold per meter) | m | EVA(d14x1t) | (Vm) | |
| 20 | 002-132-11 | Heat Shrink Tube (Sold per meter) | m | A4(d17x0.27t) | (Vm) | |
| 21 | 032-255-14 | Hose Coupling 8" | 1 | NPT-8 (KRS) | FC | |
| | 032-395-17 | Hose Coupling 6" OPTION | 1 | NPT-6 (KRS) | FC | OPTION for 6" discharge |
| 22 | 140-112-16 | Hex.Bolt | 2 | M12x110 | SUS304 | |
| 23 | 140-098-15 | Hex.Bolt | 4 | M12x35 | SUS304 | |
| 24 | 121-144-18 | Packing | 1 | KRZ8(P.C.236xd190) | NBR | * |
| 25 | 068-159-18 | Handle | 1 | KRS-C6/A6/8S(T) | SGP+SPC | |
| 26 | 140-100-11 | Hex.Bolt | 1 | M12x45 | SUS304 | |
| 27 | 142-165-10 | Spring Washer | 1 | M12 | SUS304 | |
| 28 | 143-000-76 | Pan Screw (w/Spring Washer/Plain Washer) | 1 | M6x8 | SWRM | |
| 29 | | | | | | |
| 30 | 009-106-17 | Terminal | 1 | R-8-6 | CU | included with ITEM#1 Cable Ass'y |
| 31 | 050-372-14 | Motor Bracket | 1 | | FC | |
| 32 | 122-250-11 | O-Ring | 1 | 230xd3.8 | NBR | * |
| 33 | 053-317-10 | Motor Protector 208/230V-60Hz | 1 | KA315-JTAL00 | (B.C) | |
| 33 | 053-398-15 | Motor Protector 460V-60Hz | 1 | KA314-HLYL00 | (B.C) | |
| 34 | 143-125-24 | Pan Screw (w/Spring Washer/Plain Washer) | 2 | M4x14 | SWRM | |
| 35 | 142-199-13 | Wave Washer | 1 | 6208/6307 | SK5 | |
| 36 | 052-110-18 | Bearing | 1 | 6307ZZC3 | | |
| 37 | 058-120-19 | Lead Wire Protection Plate | 1 | d94xd220x1.6t | Bakelite | |

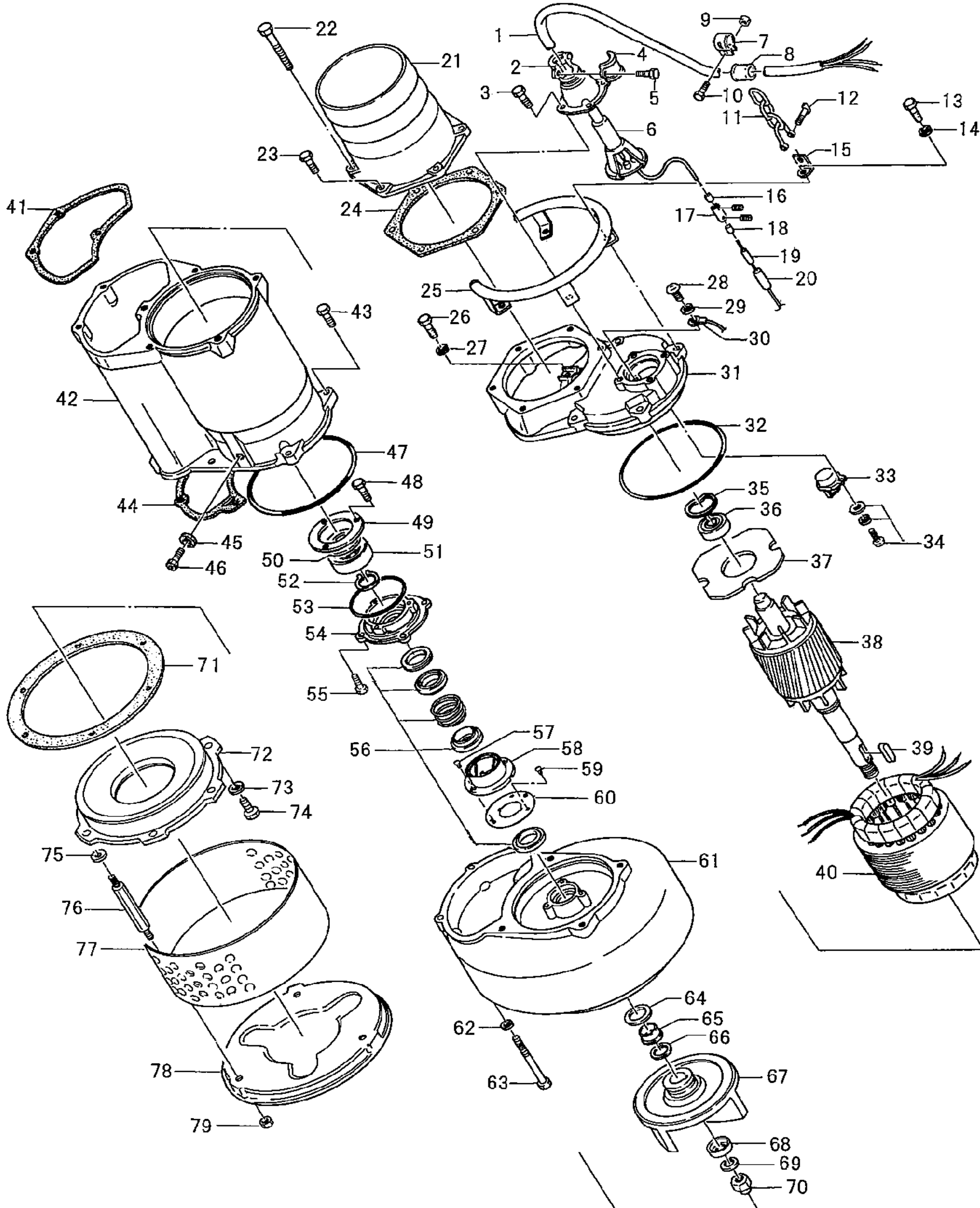
| PARTS LIST | | HI-VOLUME DEWATERING PUMP | | | 11/8/2019 | |
|------------|------------|-------------------------------|------|----------------------------|-----------|-------|
| ITEM | PART No. | DESCRIPTION | QTY | SIZE | MATERIAL | NOTES |
| 38 | 055-564-10 | Rotor | 1Set | | | |
| 39 | 147-021-18 | Impeller Key | 1 | 8x8x44l | SUS420 | |
| 40 | 056-492-19 | Stator 208/230V-60Hz | 1Set | | | |
| 40 | | Stator 460V-60Hz | 1Set | | | |
| 41 | 121-200-13 | Packing (Water Way, Upp.) | 1 | KRS-8S(T) | NBR | * |
| 42 | 064-449-16 | Motor Frame | 1 | | FC | |
| 43 | 140-100-11 | Hex.Bolt | 4 | M12x45 | SUS304 | |
| 44 | 121-130-11 | Packing (Water Way, Low.) | 1 | KRS-8S | NBR | * |
| 45 | 121-247-12 | Packing | 1 | d12.3xd18x2t | PE | * |
| 46 | 035-113-18 | Oil Plug | 1 | M12x14 | SUS304 | |
| 47 | 122-311-11 | O-Ring | 1 | 220xd3.5 | NBR | * |
| 48 | 140-029-28 | Hex.Bolt | 3 | M6x10 | SWRM | |
| 49 | 062-158-19 | Bearing Fixing Plate | 1 | d95xd144x4.5t(6Hole) | SPCC | |
| 50 | 061-142-17 | Bearing Collar | 1 | d50xd70x3t | SPC | |
| 51 | 052-113-11 | Bearing | 1 | 6310ZZC3 | | |
| 52 | 146-029-13 | Retaining Ring | 1 | C50 | SK5 | |
| 53 | 122-140-17 | O-Ring | 1 | G-145(144.4xd3.1) | NBR | * |
| 54 | 060-222-19 | Bearing Housing | 1 | | FC | |
| 55 | 140-054-48 | Hex.Bolt | 4 | M8x20 | SWRM | |
| 56 | 025-195-13 | Mechanical Seal | 1 | H-35 | SiC | |
| 57 | 143-070-23 | Pan Screw | 2 | M5x6 | SWRM | |
| 58 | 030-156-18 | Oil Lifter | 1 | H-35(A)(T) | Resin | |
| 59 | 143-070-10 | Pan Screw | 3 | M5x6 | SWRM | |
| 60 | 030-150-12 | Seal Stopper | 1 | H-35(A)(T) | SPCC | |
| 61 | 020-478-18 | Pump Casing | 1 | KRS-8S | FC | |
| 62 | 142-165-10 | Spring Washer | 2 | M12 | SUS304 | |
| 63 | 140-113-17 | Hex.Bolt | 2 | M12x120 | SUS304 | |
| 64 | 026-123-13 | Oil Seal | 1 | TC-406211 | NBR | |
| 65 | 071-128-47 | Shaft Sleeve | 1 | KRS-7.5/11KW | SUS403 | |
| 66 | 040-110-24 | Impeller Shim | | d32.5xd58x0.3t | SUS304 | |
| 67 | 021-427-15 | Impeller (60Hz) | 1 | 60Hz | FCD | |
| 68 | 047-107-16 | Impeller Thread Protect.Cover | 1 | No.6(33) | SPC | |
| 69 | 142-171-19 | Spring Washer | 1 | M30 | SUS304 | |
| 70 | 157-010-15 | Impeller Nut | 1 | M30,P3.5(B=41,Hex.Cap Nut) | S35C | |
| 71 | 120-105-14 | Packing | | d291xd348x0.5t | PE | |
| 72 | 022-469-38 | Suction Cover | 1 | KRS-8S | FC | |
| 73 | 142-129-12 | Plain Washer | 3 | M12 | SUS304 | |
| 74 | 140-097-14 | Hex.Bolt | 3 | M12x30 | SUS304 | |

| PARTS LIST | | HI-VOLUME DEWATERING PUMP | | | | 11/8/2019 |
|------------|------------|------------------------------|------|--------------------------|----------|-----------|
| ITEM | PART No. | DESCRIPTION | QTY | SIZE | MATERIAL | NOTES |
| 75 | 142-129-12 | Plain Washer | 3 | M12 | SUS304 | |
| 76 | 144-153-24 | Stud Bolt | 3 | M12x142(15/28.5) | SUS403 | |
| 77 | 023-278-15 | Strainer | 1 | NKZ2-D6/B6 | SPC | |
| 78 | 049-136-10 | Bottom Plate | 1 | KRS-D6 | SPC | |
| 79 | 141-007-10 | Hex.Nut | 3 | M12 | SUS304 | |
| | 173-437-12 | Packing O-Ring Set | 1Set | (Marked by *) | | |
| 24 | 122-250-11 | O-Ring (M.Bracket/M.Frame) | 1 | 230xd3.8 | NBR | * |
| 32 | 121-144-18 | Packing (Hose Coupling) | 1 | KRZ8(P.C.236xd190) | NBR | * |
| 41 | 122-311-11 | O-Ring (M.Frame/P.Casing) | 1 | 220xd3.5 | NBR | * |
| 44 | 121-200-13 | Packing (Water Way, Upp.) | 1 | KRS-8S(T) | NBR | * |
| 45 | 121-130-11 | Packing (Water Way, Low.) | 1 | KRS-8S | NBR | * |
| 47 | 121-247-12 | Packing (Oil Plug) | 1 | d12.3xd18x2t | PE | * |
| 53 | 122-140-17 | O-Ring (M.Frame/Brg.Housing) | 1 | G-145(144.4xd3.1) | NBR | * |
| | | Lubricant | | Turbine Oil VG32 2,300ml | | |
| | 183-011-17 | Impeller Puller | | A No.6 2" | FC | |

| PARTS LIST | | HI-VOLUME DEWATERING PUMP | | | | 11/8/2019 |
|------------|----------|---------------------------|-----|------|----------|-----------|
| ITEM | PART No. | DESCRIPTION | QTY | SIZE | MATERIAL | NOTES |

EXPLODED VIEW

KRS2-8S



(C-00011-1)



MODEL **KRS2-8S**

| PARTS LIST | | HI-VOLUME DEWATERING PUMP | | | | | 11/8/2019 |
|------------|----------|---------------------------|-----|------|----------|-------|-----------|
| ITEM | PART No. | DESCRIPTION | QTY | SIZE | MATERIAL | NOTES | |